



Model Name **MX819ST Digital Projector**

Unique selling point

- * SmartEco Power Saving Technology
- * 0.61 Short Throw Ratio
- * Designed for Education & IWB
- * Crestron eControl, RoomView, PJ Link & AMX LAN Control Compatible
- * Blu-ray Full HD 3D support
- * PointWrite Interactive Solution Compatible

Trade Mark



| | | |
|--|--|--|
| Projection System | DLP | |
| Native Resolution | XGA(1024X768) | |
| Brightness | 3000AL | |
| Contrast Ratio | 13000:1 | |
| Display Color | 1.07 Billion Colors | |
| Lens | F=2.6 f=6.9mm | |
| Aspect Ratio | Native 4:3 (5 aspect ratio selectable) | |
| Throw Ratio | 0.61 (78" @0.96m) | |
| Image Size (Diagonal) | 60"~300" | |
| Zoom Ratio | Fixed | |
| Lamp Type | 190W | |
| Lamp Mode (Normal/Economic/SmartEco ImageCare/ SmartEco LampCare) | 4500/6000/6500/10000 hours | |
| Keystone Adjustment | 1D, Vertical +/- 30 degrees | |
| Projection Offset | 130% ±5% | |
| Resolution Support | VGA(640 x 480) to UXGA(1600 x 1200) | |
| Horizontal Frequency | 15~102KHz | |
| Vertical Scan Rate | 23~120Hz | |
| Compatibility | HDTV Compatibility | 480i, 480p, 576i, 576p, 720p, 1080i, 1080p |
| | Video Compatibility | NTSC, PAL, SECAM |
| | 3D Compatibility | Frame Sequential: Up to 480i |
| | (Please refer to User's Manual for detailed support timing.) | Frame Packing: Up to 24 Hz 1080p |
| | | Side by Side: Up to 60Hz 1080i |
| | | Top Bottom: Up to 24Hz 1080p |
| Interface | Computer in (D-sub 15pin) | x 2 (Share with component) |
| | Monitor out (D-sub 15pin) | x 1 |
| | Composite Video in (RCA) | x 1 |
| | S-Video in (Mini DIN 4pin) | x 1 |
| | HDMI | x 1 |
| | Audio in (Mini Jack) | x 2 |
| | Audio out (Mini Jack) | x 1 |
| | Audio L/R in (RCA) | x 1 |
| | Speaker | x 1 (10W) |
| | USB (Type Mini B) | x1 (Download & page/down) |
| | RS232 (DB-9pin) | x 1 |
| | LAN (RJ45) | x 1 |
| Dimensions | Dimensions(W x H x D) | 287.3 x 114.4 x 232.6mm |
| | Weight | 2.6kg(5.73bs) |
| Power | Power Supply | AC100 to 240 V, 50 to 60 Hz |
| | Power Consumption | 270W(typical), Standby<0.5W |
| Audible Noise | 32/28 dBA (Normal/Economic mode) | |
| On-Screen Display Languages | Arabic/Bulgarian/ Croatian/ Czech/ Danish/ Dutch/ English/ Finnish/ French/ German/ Greek/ Hindi/ Hungarian/ Italian/ Indonesian/ Japanese/ Korean/ Norwegian/ Polish/ Portuguese/ Romanian/ Russian/ Simplified Chinese/Spanish/ Swedish/ Turkish/ Thai/ Traditional Chinese (28 Languages) | |
| Picture Modes | Dynamic/Presentation/sRGB/Cinema/(3D)/User 1/User 2 | |
| Accessories | Standard | Optional |
| | Lens Cover | PointWrite 5J9A26.10E |
| | Remote Control w/ Battery | Spare Lamp Kit 5J9A05.001 |
| | Power Cord (by region) | Ceiling Mount 5J4N10.001 |
| | User Manual CD | Wall Mount 5J4R10.011 |
| | Quick Start Guide | Carry bag 5J3T09.001 |
| | Warranty Card (by region) | |
| | VGA(D-sub 15pin) Cable | |

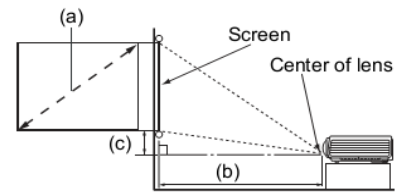
*Lamp life results will vary depending on environmental conditions and usage. Actual product's features and specifications are subject to change without notice.

MX819ST Digital Projector

Distance Chart

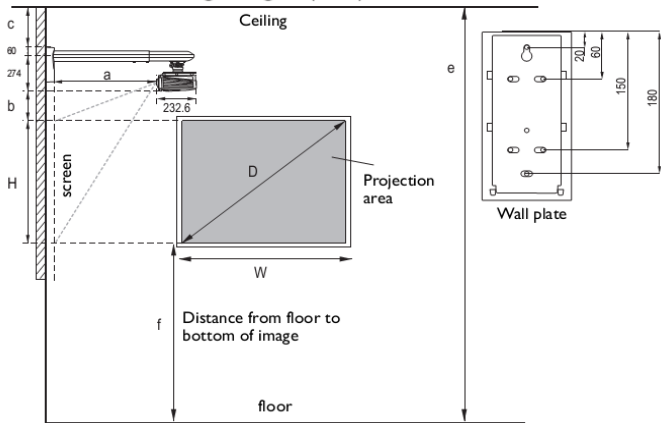
The screen aspect ratio is 4:3 and the projected picture is 4:3

| (a) Screen size | | | | (b) Distance from screen (mm) | (c) Vertical offset (mm) |
|-----------------|------|--------|-------|-------------------------------|--------------------------|
| Diagonal | | Height | Width | | |
| Inches | mm | (mm) | (mm) | | |
| 80 | 2032 | 1219 | 1626 | 988 | 183 |
| 100 | 2540 | 1524 | 2032 | 1235 | 229 |
| 120 | 3048 | 1829 | 2438 | 1481 | 274 |
| 150 | 3810 | 2286 | 3048 | 1852 | 343 |
| 180 | 4572 | 2743 | 3658 | 2222 | 411 |
| 200 | 5080 | 3048 | 4064 | 2469 | 457 |
| 220 | 5588 | 3353 | 4470 | 2716 | 503 |
| 240 | 6096 | 3658 | 4877 | 2963 | 549 |
| 270 | 6858 | 4115 | 5486 | 3333 | 617 |
| 300 | 7620 | 4572 | 6096 | 3704 | 686 |

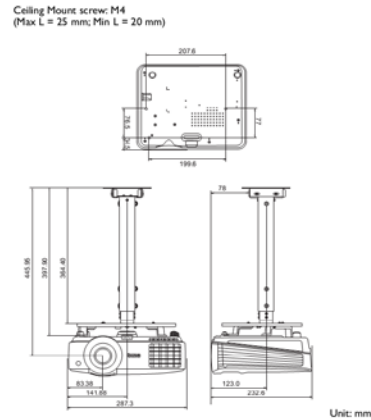


Wall mount/Ceiling mount Chart

$$\text{Minimum Ceiling Height (mm)} = f + H + b + 60 + 274 + c$$



Ceiling mount installation



Dimension

